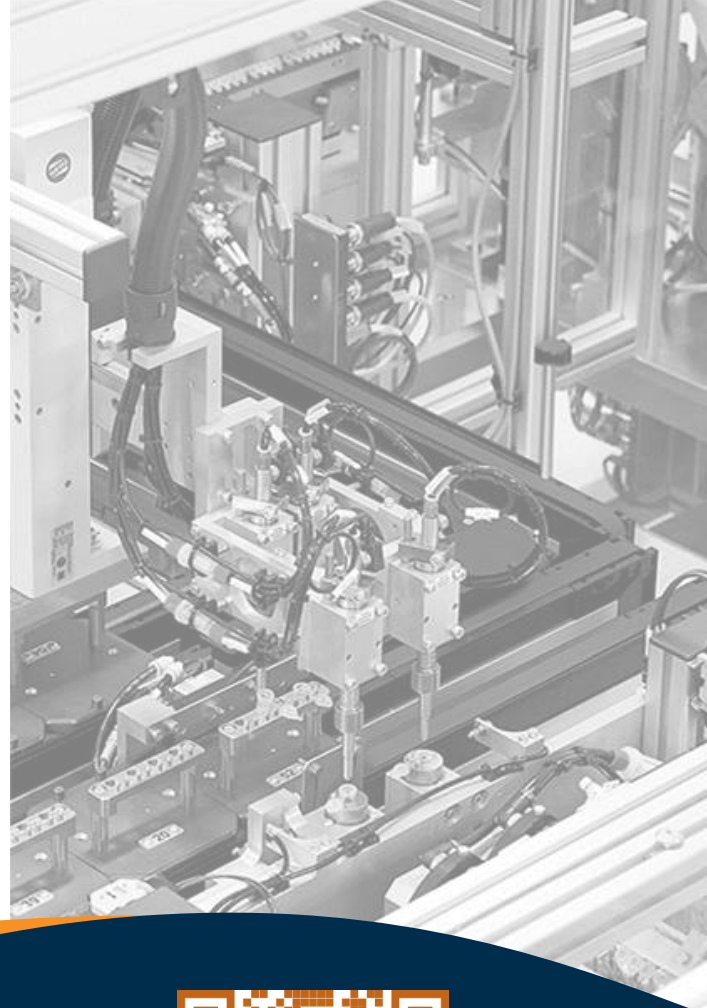


Industry Overview

- The prevalence of chronic and infectious diseases such as diabetes, cancer, SARS, Influenzas, RSV, cardiac and respiratory diseases, STDs, HIV, Hepatitis, and many other important applications such as pregnancy and fertility tests, cholesterol, drug abuse, metabolic tests, are driving advancements and push for huge volume increases in production of and use of Point of Care (PoC) devices.
- Many market research sources agree that the global PoC diagnostics market is growing from approx. \$45B in 2022 and will reach approx. \$76B by 2027



LANCO
INTEGRATED



SCAN ME



lanco.net



diagnostics@lanco.net



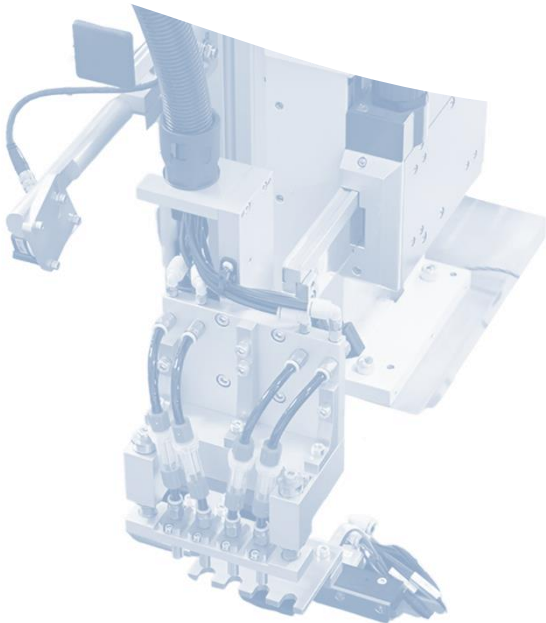
+1 207 773 2060

LANCO ... your
strategic
automation
partner for life!

Automated
Assembly of
Diagnostic
Testing Devices

At A Glance

- Instant, rapid and extended molecular and antigen test kits
- Semi-automated and fully-automated process systems with data management SW
- Modular design for customization to meet specific needs and future expansion
- Use in numerous applications including human pathogen, HIV and STD detection, pregnancy, DNA research, and veterinary diagnosis



Lanco Service

Pro-active Productivity Improvement through:

- Commissioning and Final Acceptance of machines at customer facilities, augmented with hands-on machine training
- Improved OEE facilitated by data management methodologies: Real-time production data is used to access a machine's performance and product quality trends to allow for remote diagnostics
- Preventative and Predictive Maintenance plans and spare parts lists
- On-demand service with technicians available for support within 24 hours of request, on-site or remotely

With our DNA going back to 1873, Lanco has been advancing in the automation industry since 1984, expanding our design-build and integration experience and specializing in modular, expandable, powered, and free assembly systems.



LATERAL FLOW

- Fully automated lines capable of 4500+ PPH
- Applications include diagnostics of Blood Sugar, strep, pregnancy, influenza A & B, RSV, SARS-CoV and SARS-CoV-2 and other infectious diseases



BULK ACOUSTIC WAVE

- Bulk Acoustic Wave (BAW) cartridges for antigen testing
- 700+ PPH (semi-automated)
- Applications included diagnostics of veterinary diseases, STI, influenza A & B, RSV, SARS-CoV and SARS-CoV-2, chronic disease and other infectious diseases



SPECIMEN CARTRIGES

- Transfer Cartridges and Sample Receivers for molecular testing - fully automated
- 9000+ PPH and with 1+ hour autonomy
- Applications include diagnostics of influenza A & B, RSV, SARS-CoV and SARS-CoV-2 and more



VIALS

- 6000+ PPH and 1+ hour of autonomy (with fully automated lines)
- For use in DNA /RNA extraction or isolation
- Processes include dispensing, material handling/transferring, tray handling, labeling and pack out